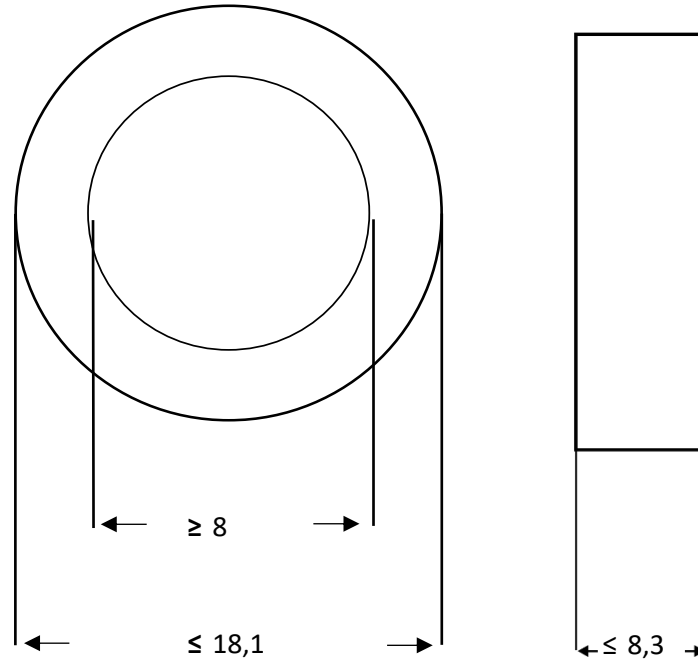


Product		Core Material	Core Dimensions	Case Dimensions	Weight in gram	Packaging
D0016R60N01-01		Nanocrystalline	16x10x6 mm	18,1x8x8,3 mm	4,3	990 pcs. pr. box
Housing		Permeability	Frequency	H_{peak}	L_{Fe}	A_{Fe}
Cased	Round	60000	10 kHz	3,5 mA/cm	4,1 cm	0,14 cm ²



Values in mm

Inspection Values	Measurement limits	Frequency	$I_{eff} \times N$ (mA turns)	Date:	31.01.2024
AL (μH)	18,6 - 37,2	10 kHz	100	Index:	1 Revision: 2
AL (μH)	4,6 - NA	100 kHz	100	Comments:	
Created	Approved	Released	Quality	Product released	
MWE	MMO	HJP/MMO	HJP	All parameters can be changed without prior notice.	

