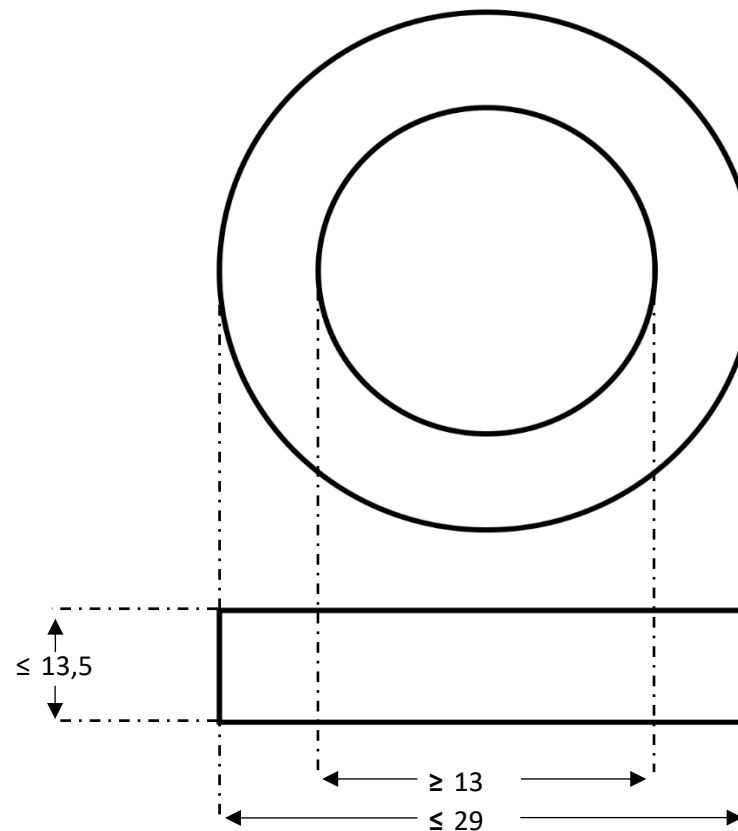



Product		Core Material	Core Dimensions	Case Dimensions	Weight in gram	Packaging
D0025R30N01-01		Nanocrystalline	25x16x10 mm	29x13x13,5 mm	18	390 pcs. per box
Housing		Permeability	Frequency	H_{peak}	L_{Fe}	A_{Fe}
Cased	Round	30000	10 kHz	3 mA/cm	6,4 cm	0,36 cm ²



Values in mm

Inspection Values	Measurement limits	Frequency	$I_{eff} \times N$ (mA turns)	Date: 27.03.2024	 Blueferrite.com
AL (μH)	14,8 - 29,6	10 kHz	100	Index: 1 Revision: 1	
AL (μH)	7,4 - NA	100 kHz	100	Comments:	
Created	Approved	Released	Quality	Product released	
MWE	MMO	HJP/MMO	HJP	All parameters can be changed without prior notice.	