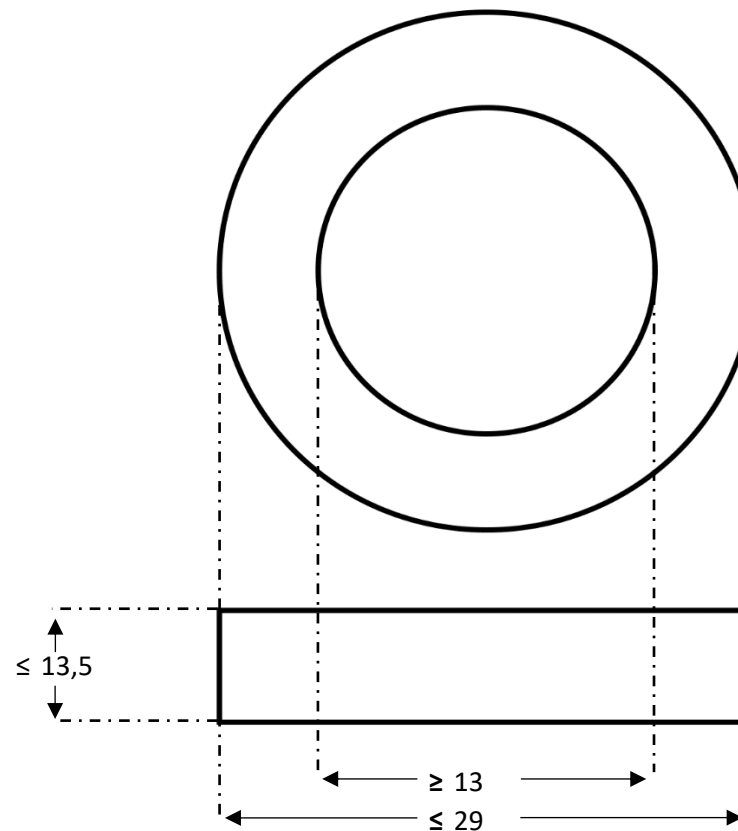


Product		Core Material	Core Dimensions	Case Dimensions	Weight in gram	Packaging
D0025R60N01-01		Nanocrystalline	25x16x10 mm	29x13x13,5 mm	18	390 pcs. per box
Housing		Permeability	Frequency	H peak	L _{Fe}	A _{Fe}
Cased	Round	60000	10 kHz	1 mA/cm	6,4 cm	0,36 cm ²



Values in mm

Inspection Values	Measurement limits	Frequency	$I_{\text{eff}} \times N$ (mA turns)	Date:	27.03.2024
AL (μH)	29,5 - 59	10 kHz	100	Index:	1
AL (μH)	7,4 - NA	100 kHz	100	Revision:	1
Created	Approved	Released	Quality	Comments:	
MWE	MMO	HJP/MMO	HJP	Product released	
				All parameters can be changed without prior notice.	



Blueferrite.com