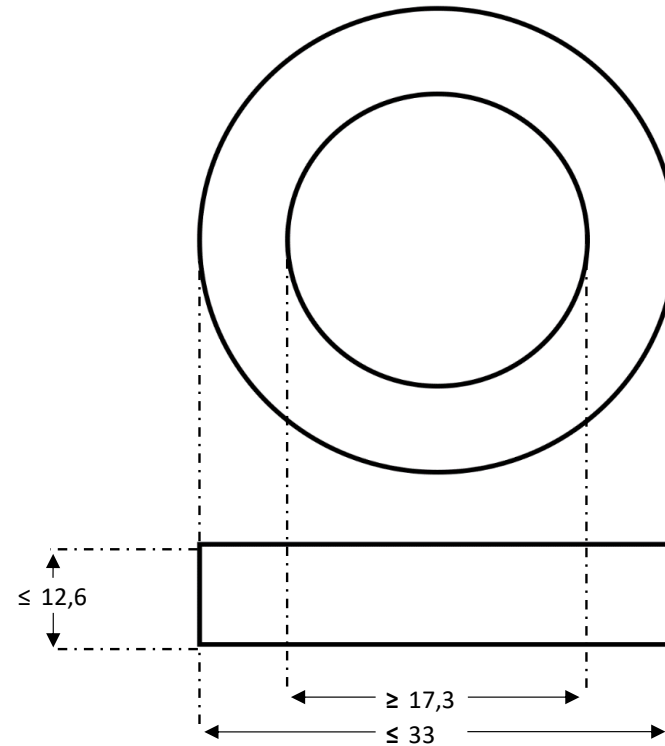


Product		Core Material	Core Dimensions	Case Dimensions	Weight in gram	Packaging
D0030R60N01-01		Nanocrystalline	30x20x10 mm	33x17,3x12,6 mm	24	300 pcs. pr. box
Housing		Permeability	Frequency	H_{peak}	L_{Fe}	A_{Fe}
Cased	Round	60000	10 kHz	3,6 mA/cm	7,9 cm	0,4 cm ²



Values in mm

Inspection Values	Measurement limits	Frequency	$I_{eff} \times N$ (mA turns)	Date:	23.01.2024
AL (μ H)	27 - 54	10 kHz	20	Index:	1
AL (μ H)	7 - NA	100 kHz	20	Revision:	1
Created	Approved	Released	Quality	Comments:	
MWE	MMO	HJP/MMO	MMO	Minor changes on the mechanical dimensions All parameters can be changed without prior notice.	

