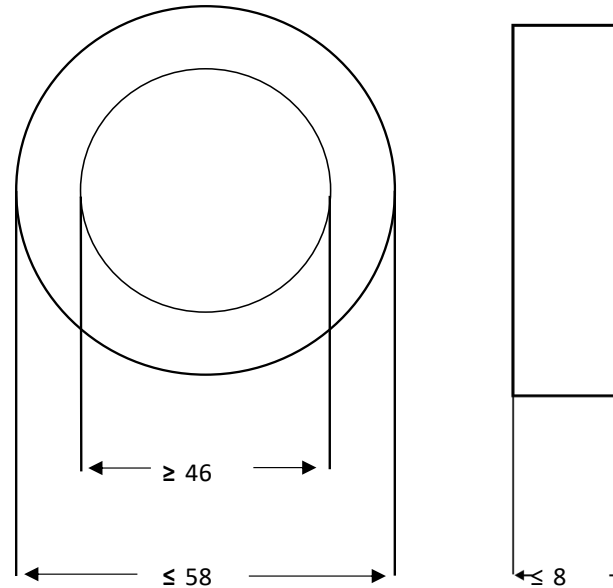


Product		Core Material	Core Dimensions	Case Dimensions	Weight in gram	Packaging
D0057R60N01-01 Sample		Nanocrystalline	58x46x8 mm	58x46x8 mm	50	16 pcs. pr. box
Housing		Permeability	Frequency	H_{peak}	L_{Fe}	A_{Fe}
Epoxy	Round	60000	10 kHz	3,5 mA/cm	16,1 cm	0,4 cm ²



Values in mm

Inspection Values	Measurement limits	Frequency	$I_{eff} \times N$ (mA turns)	Date:	14.03.2023
AL (μH)	12,4 - 24,8	10 kHz	20	Index:	1
AL (μH)	2,0 - NA	100 kHz	20	Revision:	1
Created	Approved	Released	Quality	Comments:	Sample
MWE	MMO	HJP/MMO	HJP	All parameters can be changed without prior notice. Typical saturation flux density $B_s = 1.2$ T	

