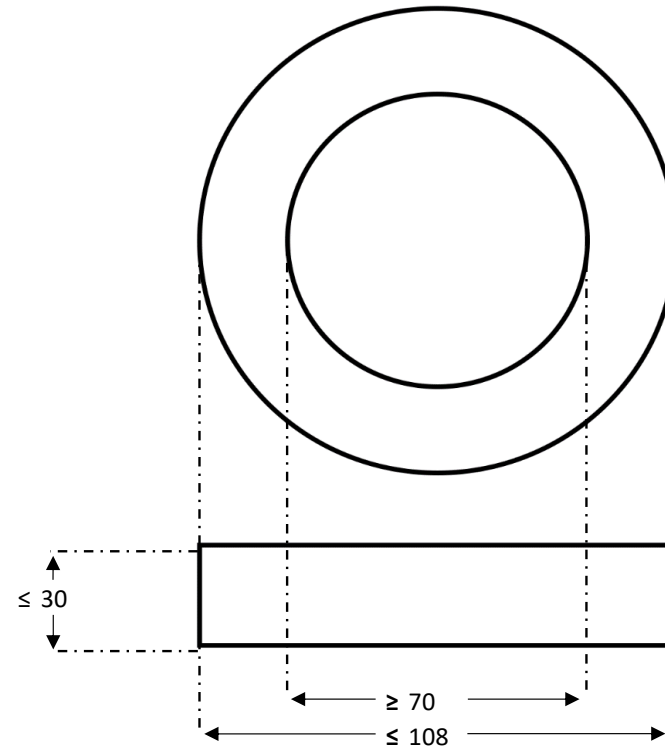
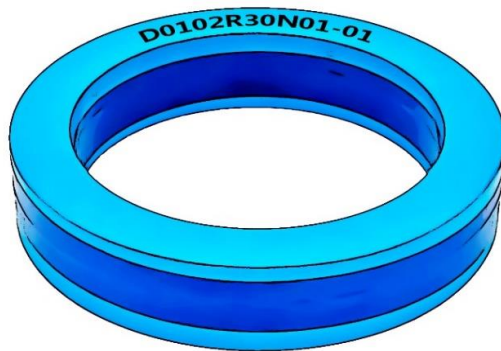


Product		Core Material	Core Dimensions	Case Dimensions	Weight in gram	Packaging
D0102R30N01-01		Nanocrystalline	102x76x25 mm	108x70x30 mm	530	12 pcs. per box
Housing		Permeability	Frequency	H_{peak}	L_{Fe}	A_{Fe}
Cased	Round	30000	10 kHz	3 mA/cm	27,8 cm	2,6 cm ²



Values in mm

Inspection Values	Measurement limits	Frequency	$I_{eff} \times N$ (mA turns)	Date:	07.04.2021
AL (μ H)	24,5 - 49,1	10 kHz	60	Index:	1
AL (μ H)	12,3 - NA	100 kHz	60	Revision:	1
Created	Approved	Released	Quality	Comments:	
HJP	MMO	HJP/MMO	HJP	Product released	

