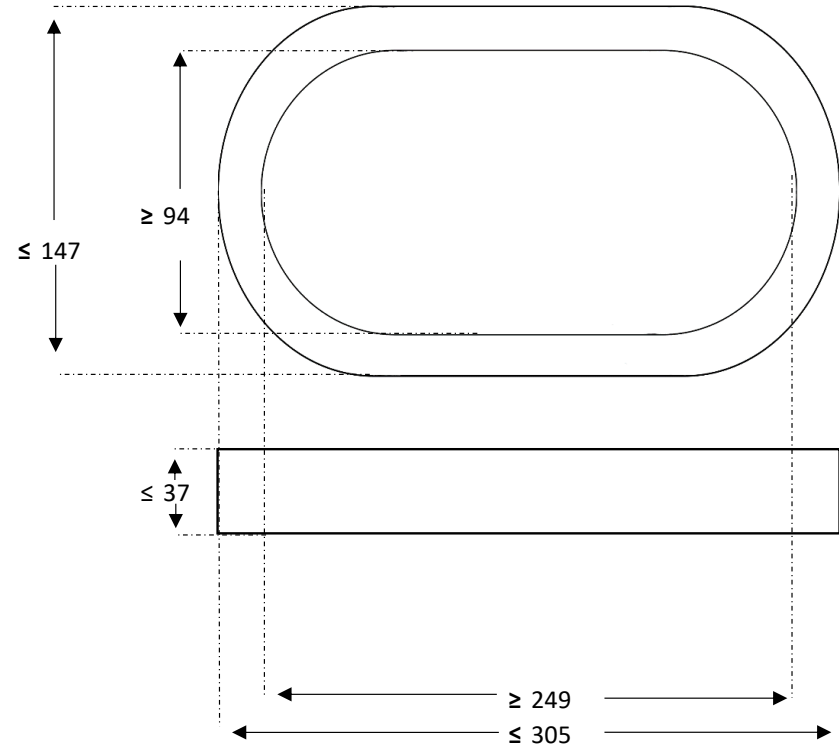
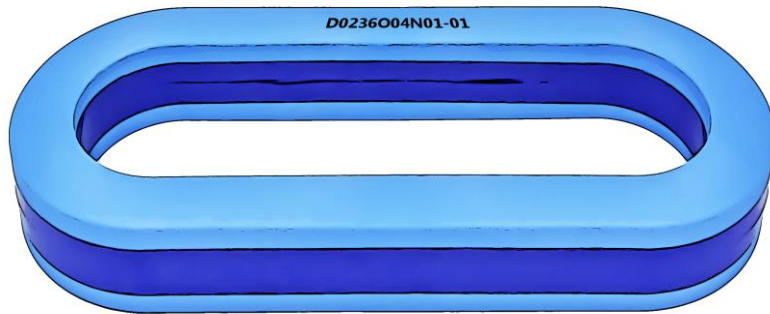


Product		Core Material	Core Dimensions	Case Dimensions	Weight in gram	Packaging
D0236004N01-01		Nanocrystalline	236x200x30 mm	305x147x37 mm	2200	2 pcs. pr. box
Housing		Permeability	Frequency	H_{peak}	L_{Fe}	A_{Fe}
Cased	Oval	4000	10 kHz	3,0 mA/cm	68,5 cm	4,32 cm ²



Values in mm

Inspection Values	Measurement limits	Frequency	$I_{eff} \times N$ (mA turns)	Date: 24.03.2023
AL (μH)	2,2 - 4,4	10 kHz	150	Index: 1
AL (μH)	2,2 - NA	100 kHz	150	Revision: 1
Created	Approved	Released	Quality	Comments:
MWE	MMO/HJP	HJP/MMO	HJP	Product released All parameters can be changed without prior notice.

