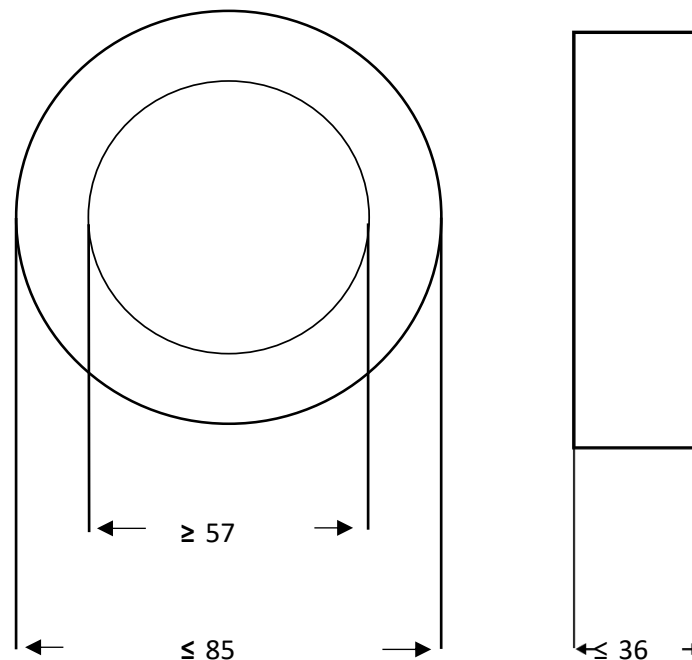
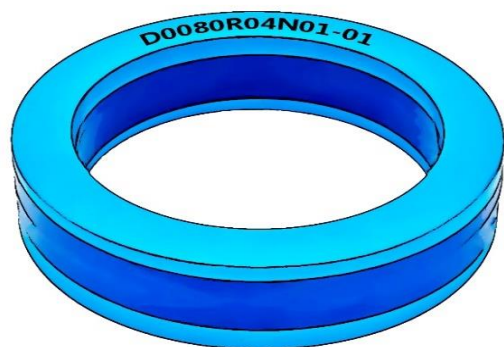


Product		Core Material	Core Dimensions	Case Dimensions	Weight in gram	Packaging
D0080R04N01-01		Nanocrystalline	80x63x30 mm	85x57x36 mm	340	12 pcs. pr. box
Housing		Permeability	Frequency	H_{peak}	L_{Fe}	A_{Fe}
Cased	Round	4000	10 kHz	3,0 mA/cm	22,5 cm	2 cm ²



Values in mm

Inspection Values	Measurement limits	Frequency	$I_{eff} \times N$ (mA turns)	Date:	24.03.2023
AL (μH)	3,2 - 6,4	10 kHz	40	Index:	1 Revision: 1
AL (μH)	3,2 - NA	100 kHz	40	Comments:	
Created	Approved	Released	Quality	Product released	
MWE	MMO	HJP/MMO	HJP	All parameters can be changed without prior notice.	



Blueferrite.com