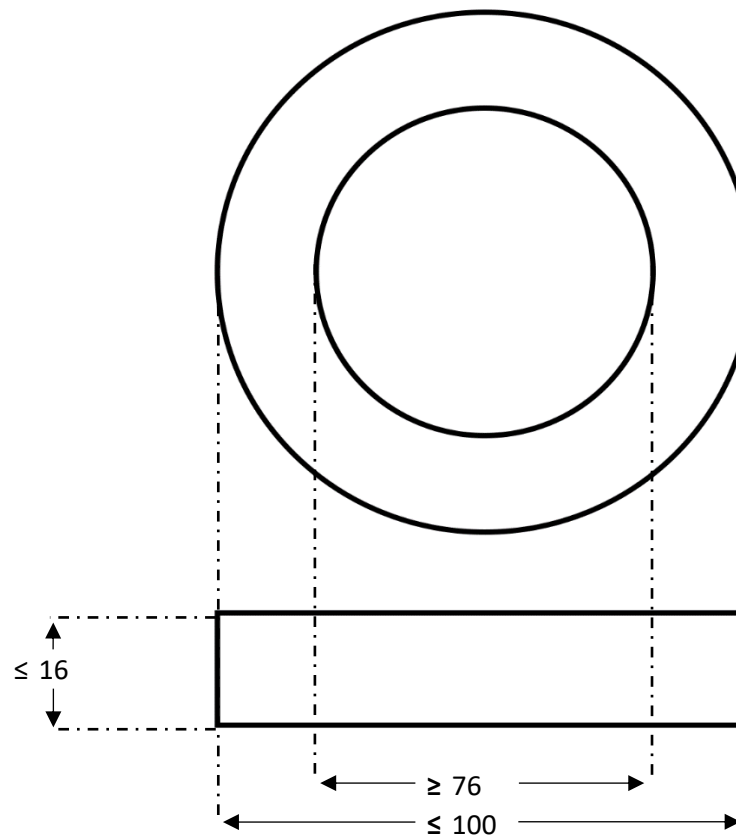
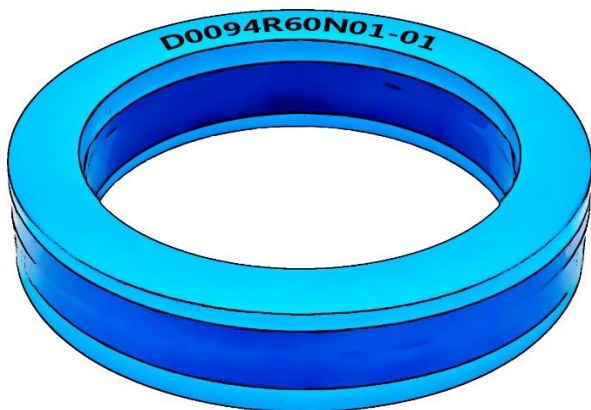


Product		Core Material	Core Dimensions	Case Dimensions	Weight in gram	Packaging
D0094R60N01-01		Nanocrystalline	94x82x10 mm	100x76x16 mm	110	tbd
Housing		Permeability	Frequency	$H_{peak}$	$L_{Fe}$	$A_{Fe}$
Cased	Round	60000	10 kHz	3 mA/cm	27,6 cm	0,5 cm <sup>2</sup>



Values in mm

Inspection Values	Measurement limits	Frequency	$I_{eff} \times N$ (mA turns)	Date:	20.07.2022
AL ( $\mu$ H)	9,0 - 18	10 kHz	10	Index:	1
AL ( $\mu$ H)	3 - NA	100 kHz	10	Revision:	1
Created	Approved	Released	Quality	Comments:	
HJP	MMO	HJP/MMO	HJP	Product released Typical saturation flux density $B_S = 1.2$ T	



Blueferrite.com