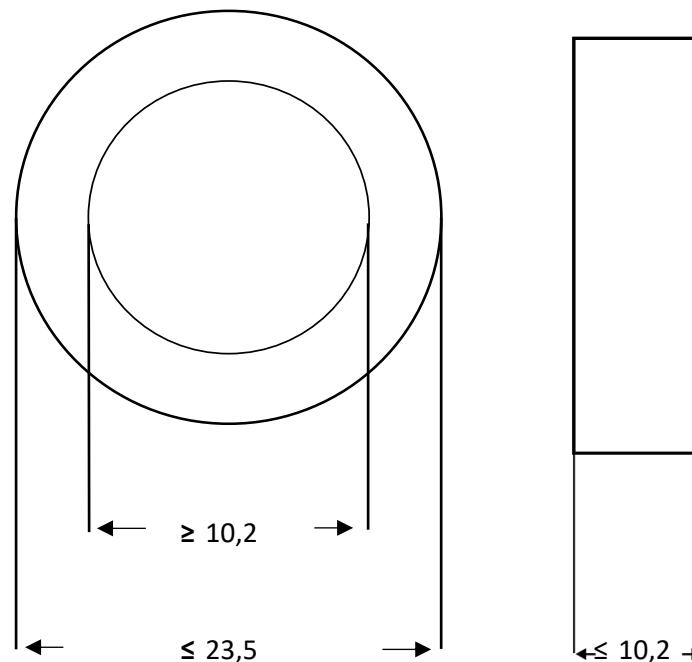


Product		Core Material	Core Dimensions	Case Dimensions	Weight in gram	Packaging
D0020R04N01-01		Nanocrystalline	20x12,5x7,5 mm	23,5x10,2x10,2 mm	9	660 pcs. per box
Housing		Permeability	Frequency	H_{peak}	L_{Fe}	A_{Fe}
Cased	Round	4000	10 kHz	3,5 mA/cm	5,1 cm	0,23 cm ²



Values in mm

Inspection Values	Measurement limits	Frequency	$I_{eff} \times N$ (mA turns)	Date:	14.10.2024
AL (μH)	2,0 - 4,0	10 kHz	100	Index:	1 Revision: 3
AL (μH)	1,6 - NA	100 kHz	100	Comments:	
Created	Approved	Released	Quality	Product released	
MWE	MMO	HJP/MMO	HJP	All parameters can be changed without prior notice.	



Blueferrite.com