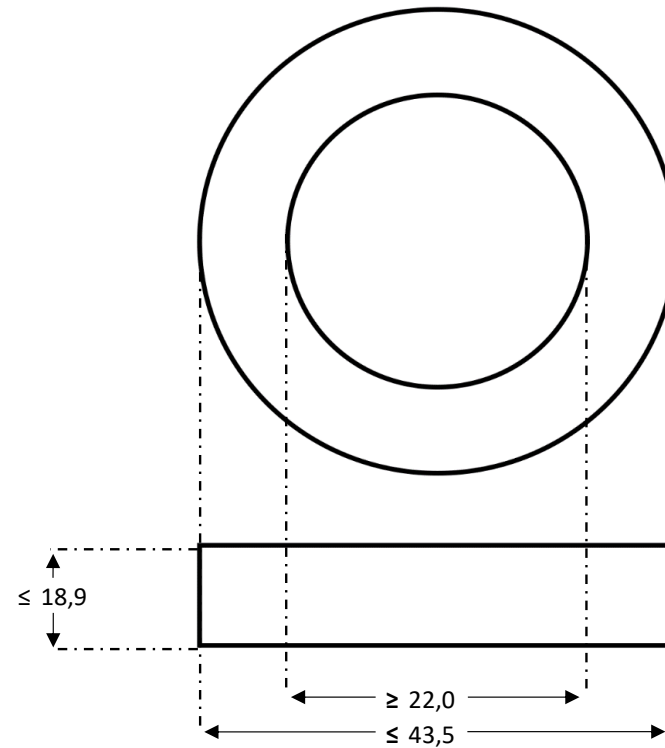
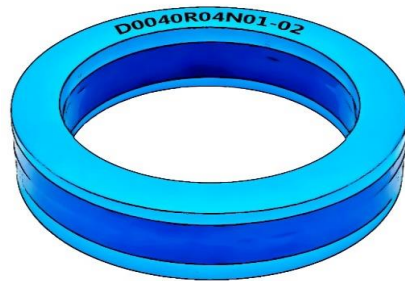


Product		Core Material	Core Dimensions	Case Dimensions	Weight in gram	Packaging
D0040R04N01-02		Nanocrystalline	40x25x15 mm	43,5x22x18,9 mm	68	80 pcs. per box
Housing		Permeability	Frequency	$H_{peak}$	$L_{Fe}$	$A_{Fe}$
Cased	Round	4000	10 kHz	3 mA/cm	10,2 cm	0,90 cm <sup>2</sup>



Values in mm

Inspection Values	Measurement limits	Frequency	$I_{eff} \times N$ (mA turns)	Date:	01.04.2025
AL (μH)	3,1 - 6,2	10 kHz	25	Index:	2
AL (μH)	3,1 - NA	100 kHz	25	Revision:	2
Created	Approved	Released	Quality	Comments:	
MWE	MMO	HJP/MMO	HJP	Product released	
				All parameters can be changed without prior notice.	
				Rev. 2: Updated packaging size	

