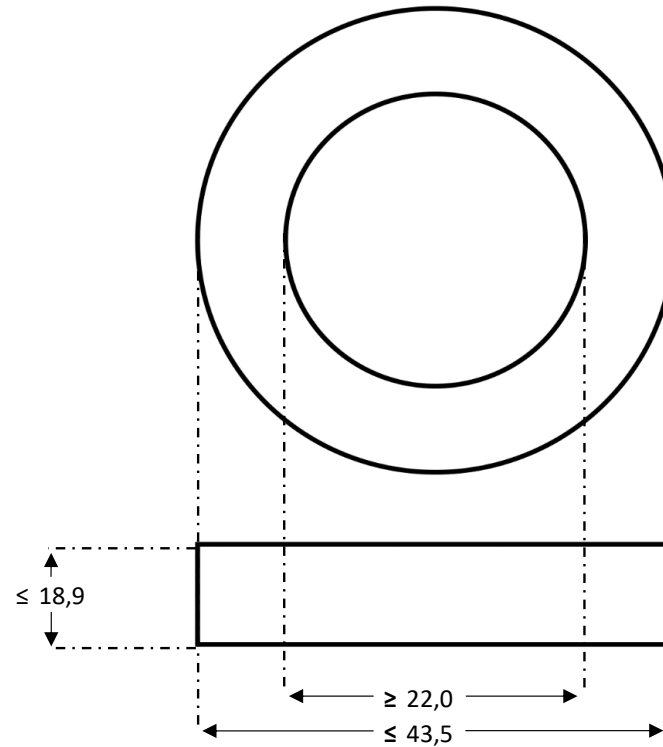
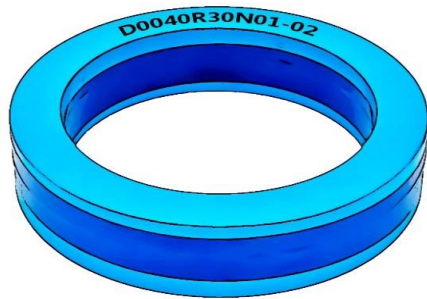


Product		Core Material	Core Dimensions	Case Dimensions	Weight in gram	Packaging
D0040R30N01-02		Nanocrystalline	40x25x15 mm	43,5x22x18,9 mm	68	80 pcs. per box
Housing		Permeability	Frequency	H_{peak}	L_{Fe}	A_{Fe}
Cased	Round	30000	10 kHz	3 mA/cm	10,2 cm	0,90 cm ²



Values in mm

Inspection Values	Measurement limits	Frequency	$I_{eff} \times N$ (mA turns)	Date: 01.04.2025
AL (μH)	23,3 - 46,6	10 kHz	25	Index: 2 Revision: 2
AL (μH)	11,6 - NA	100 kHz	25	Comments:
Created	Approved	Released	Quality	Product released
MWE	MMO	HJP/MMO	HJP	All parameters can be changed without prior notice. Rev. 2: Updated packaging size

