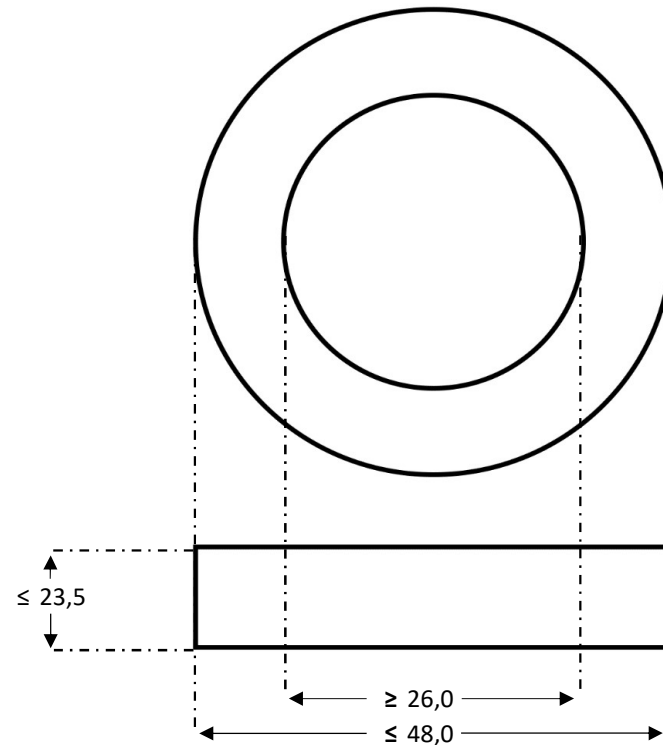
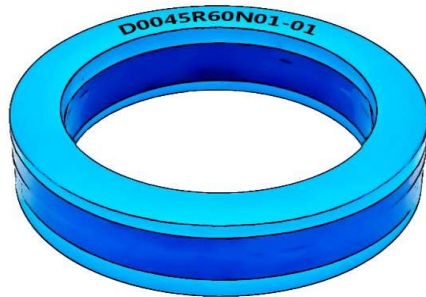


| Product        |       | Core Material   | Core Dimensions | Case Dimensions | Weight in gram | Packaging            |
|----------------|-------|-----------------|-----------------|-----------------|----------------|----------------------|
| D0045R60N01-01 |       | Nanocrystalline | 45x30x20 mm     | 48x26x23,5 mm   | 120            | 85 pcs. pr. box      |
| Housing        |       | Permeability    | Frequency       | $H_{peak}$      | $L_{Fe}$       | $A_{Fe}$             |
| Cased          | Round | 60000           | 10 kHz          | 3 mA/cm         | 11,8 cm        | 1,20 cm <sup>2</sup> |



Values in mm

| Inspection Values | Measurement limits | Frequency | $I_{eff} \times N$ (mA turns) | Date: 21.08.2024                               | Index: 1 | Revision: 2 |
|-------------------|--------------------|-----------|-------------------------------|--|----------|-------------|
| AL ( $\mu$ H)     | 53,7 - 107,4       | 10 kHz    | 25                            |  |          |             |
| AL ( $\mu$ H)     | 13,4 - NA          | 100 kHz   | 25                            |  |          |             |
| Created           | Approved           | Released  | Quality                       | Product released                               |          |             |
| JNE               | MWE                | HJP/MWE   | HJP                           | All parameters can change without prior notice |          |             |

