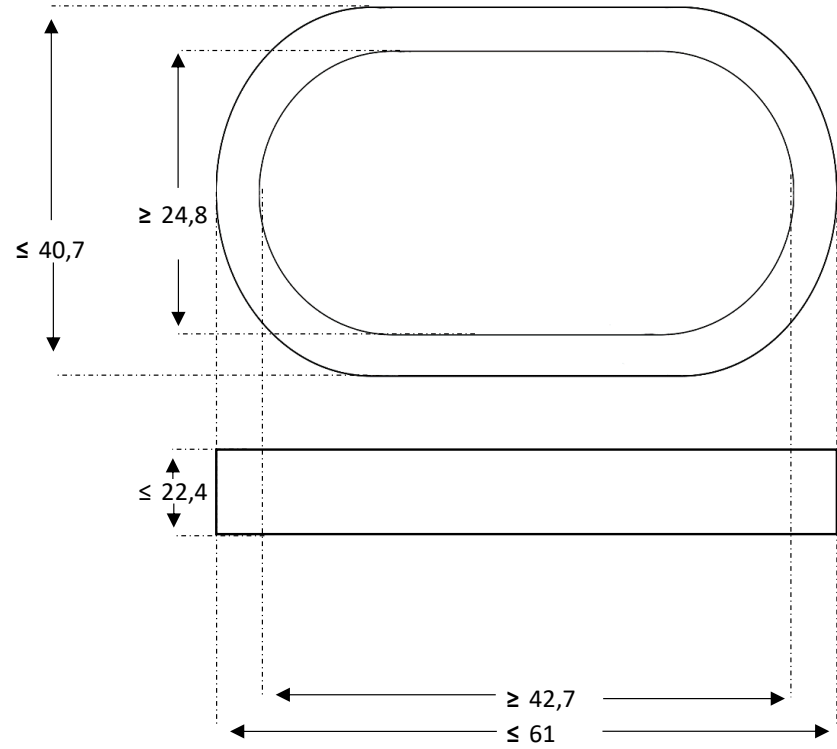
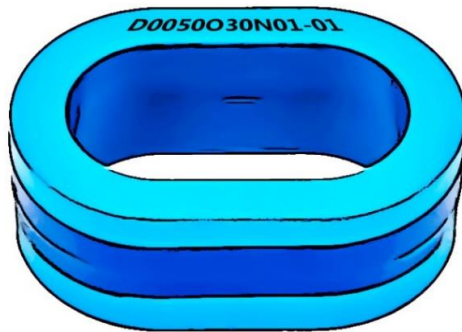


Product		Core Material	Core Dimensions	Case Dimensions	Weight in gram	Packaging
D0050030N01-01		Nanocrystalline	50x40x20 mm	61x40,7x22,4 mm	84	60 pcs. pr. box
Housing		Permeability	Frequency	H_{peak}	L_{Fe}	A_{Fe}
Cased	Oval	30000	10 kHz	3 mA/cm	14,1 cm	0,8 cm ²



Values in mm

Inspection Values	Measurement limits	Frequency	$I_{eff} \times N$ (mA turns)	Date:	24.03.2023
AL (μH)	15,0 - 30,0	10 kHz	30	Index:	1
AL (μH)	7,5 - NA	100 kHz	30	Revision:	1
Created	Approved	Released	Quality	Comments:	
MWE	MMO	HJP/MMO	HJP	Product Released	
				All parameters can be changed without prior notice.	

