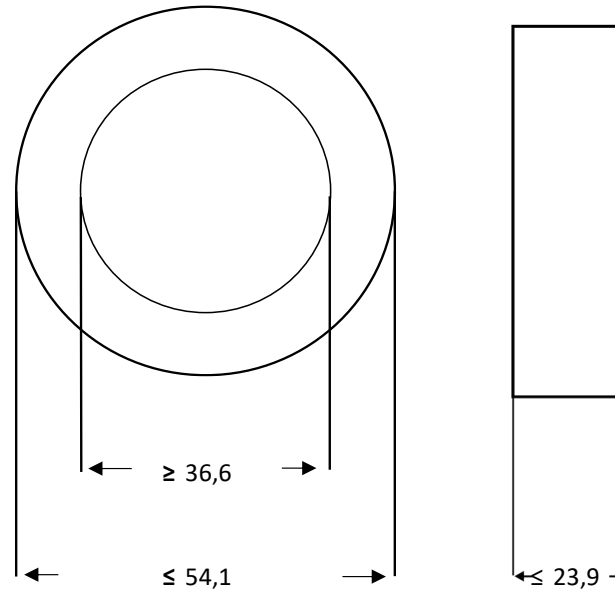


Product		Core Material	Core Dimensions	Case Dimensions	Weight in gram	Packaging
D0050R60N01-01		Nanocrystalline	50x40x20 mm	54,1x36,6x23,9 mm	84	60 pcs. pr. box
Housing		Permeability	Frequency	H_{peak}	L_{Fe}	A_{Fe}
Cased	Round	60000	10 kHz	3,5 mA/cm	14,1 cm	0,8 cm ²



Values in mm

Inspection Values	Measurement limits	Frequency	$I_{eff} \times N$ (mA turns)	Date: 24.03.2023
AL (μH)	29,9 - 59,8	10 kHz	30	Index: 1 Revision: 1
AL (μH)	7,5 - NA	100 kHz	30	Comments:
Created	Approved	Released	Quality	Product Released
MWE	MMO	HJP/MMO	HJP	All parameters can be changed without prior notice.

