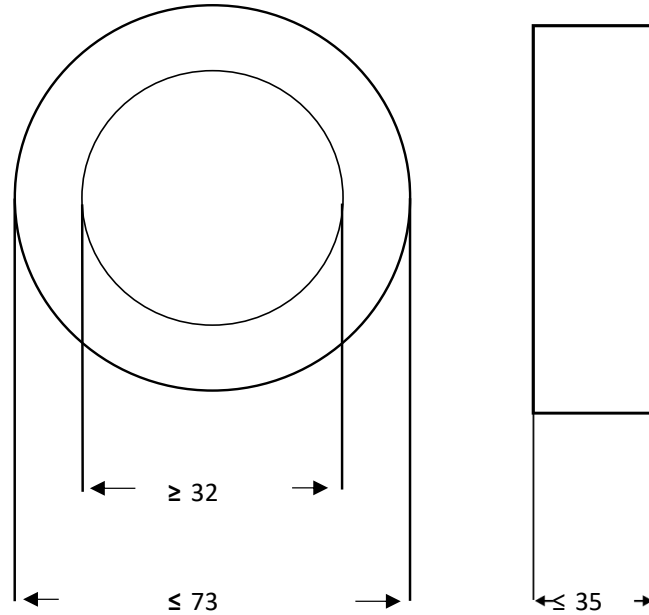
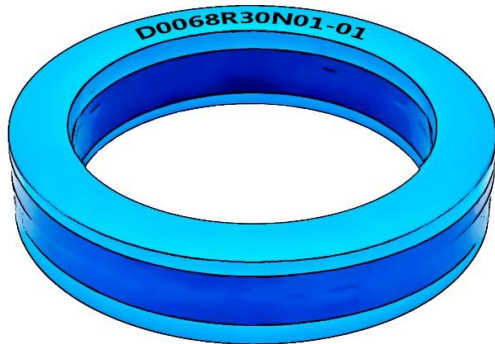


Product		Core Material	Core Dimensions	Case Dimensions	Weight in gram	Packaging
D0068R30N01-01		Nanocrystalline	68x37x30	73x32x35	450	tbd
Housing		Permeability	Frequency	H peak	L _{Fe}	A _{Fe}
Cased	Round	30000	10 kHz	3 mA/cm	16 cm	3,7 cm ²



Inspection Values	Measurement limits	Frequency	L _{eff} x N (mA turns)	Date: 15-07-2021
AL (uH)	56 - 112	10kHz	30	Index: 1 Revision: 1
AL (uH)	28 - NA	100kHz	30	Comments:
Created	Approved	Released	Quality	Product released
HJP	MMO	HJP/MMO	HJP	-



Blueferrite.com