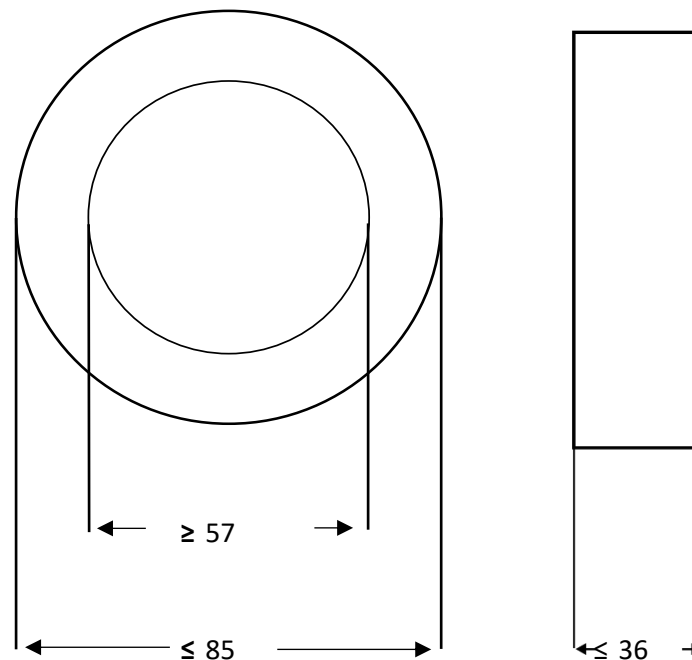
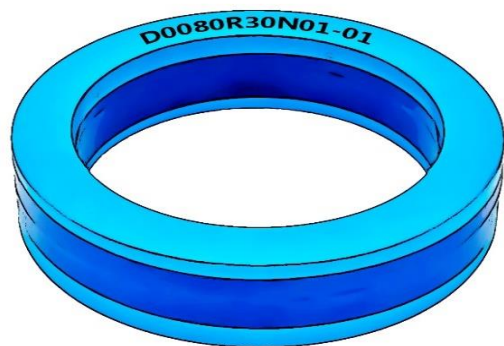


Product		Core Material	Core Dimensions	Case Dimensions	Weight in gram	Packaging
D0080R30N01-01		Nanocrystalline	80x63x30 mm	85x57x36 mm	340	12 pcs. pr. box
Housing		Permeability	Frequency	$H_{peak}$	$L_{Fe}$	$A_{Fe}$
Cased	Round	30000	10 kHz	3,16 mA/cm	22,5 cm	2 cm <sup>2</sup>



Values in mm

Inspection Values	Measurement limits	Frequency	$I_{eff} \times N$ (mA turns)	Date:	24.03.2023
AL (μH)	24 - 48	10 kHz	40	Index:	1 Revision: 1
AL (μH)	12 - NA	100 kHz	40	Comments:	
Created	Approved	Released	Quality	Product released	
MWE	MMO	HJP/MMO	HJP	All parameters can be changed without prior notice.	



Blueferrite.com