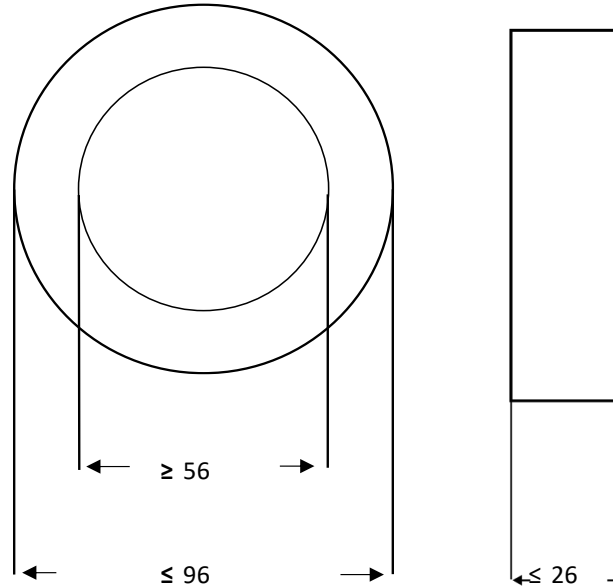
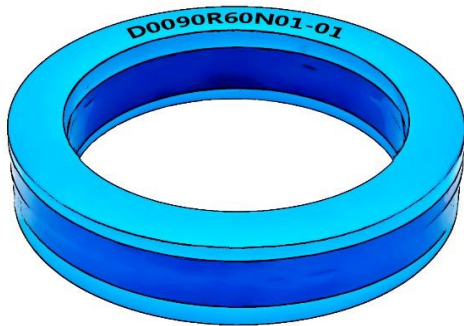


Product		Core Material	Core Dimensions	Case Dimensions	Weight in gram	Packaging
D0090R60N01-01		Nanocrystalline	90x60x20 mm	96x56x26 mm	420	12 pcs. pr. box
Housing		Permeability	Frequency	$H_{peak}$	$L_{Fe}$	$A_{Fe}$
Cased	Round	60000	10 kHz	3 mA/cm	23,6 cm	2,4 cm <sup>2</sup>



Values in mm

Inspection Values	Measurement limits	Frequency	$I_{eff} \times N$ (mA turns)	Date:	22.02.2022
AL ( $\mu$ H)	54 - 108	10 kHz	40	Index:	1
AL ( $\mu$ H)	13,5 - NA	100 kHz	40	Revision:	1
Created	Approved	Released	Quality	Comments:	
HJP	MMO	HJP/MMO	HJP	Product Released; adapted outer dimensions	

