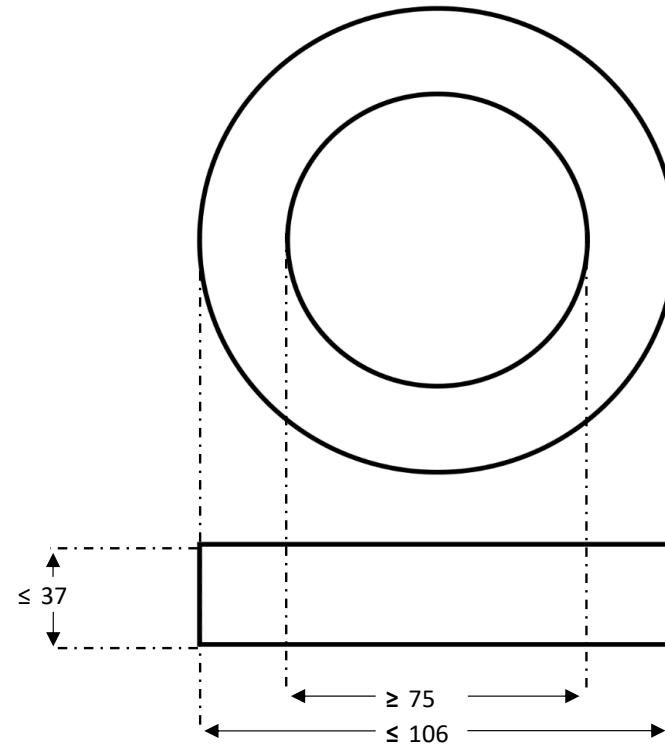
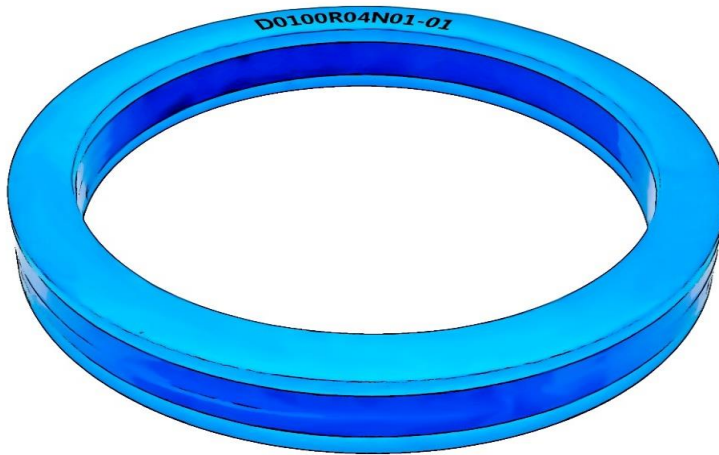


Product		Core Material	Core Dimensions	Case Dimensions	Weight in gram	Packaging
D0100R04N01-01		Nanocrystalline	100x80x30 mm	106x75x37 mm	500	12 pcs. pr. box
Housing		Permeability	Frequency	$H_{peak}$	$L_{Fe}$	$A_{Fe}$
Cased	Round	4000	10 kHz	3 mA/cm	28,3 cm	2,4 cm <sup>2</sup>



Values in mm

Inspection Values	Measurement limits	Frequency	$I_{eff} \times N$ (mA turns)	Date: 24.03.2023
AL ( $\mu$ H)	3 - 6	10 kHz	60	Index: 1 Revision: 1
AL ( $\mu$ H)	3 - NA	100 kHz	60	Comments:
Created	Approved	Released	Quality	Product released
MWE	MMO	HJP/MMO	HJP	All parameters can be changed without prior notice.

