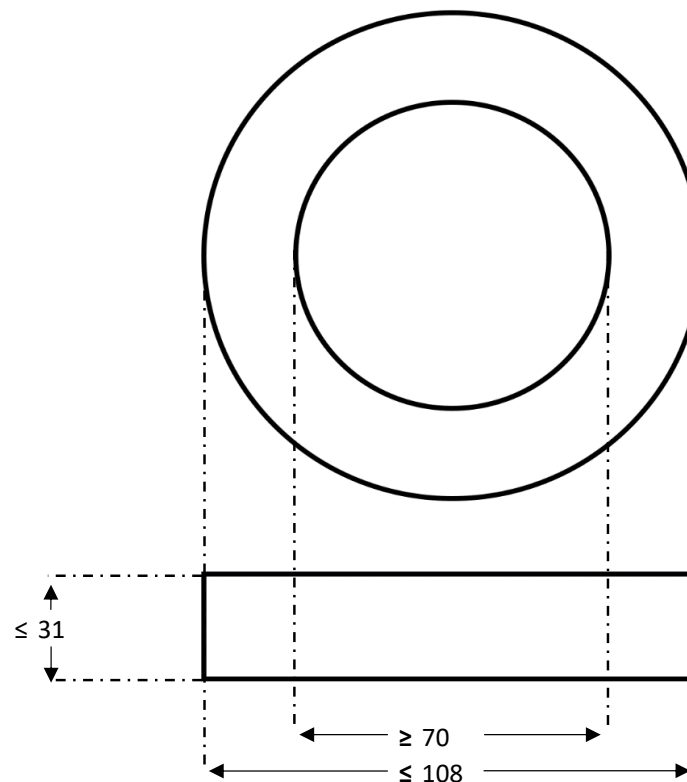
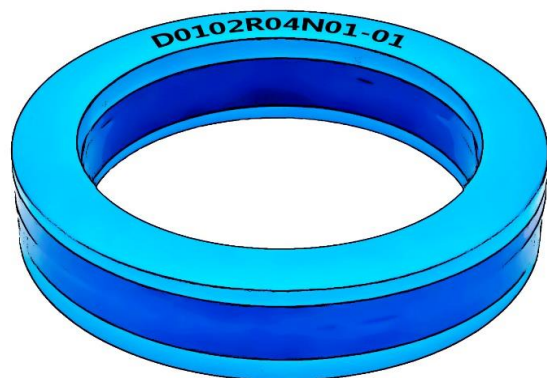


| Product | | Core Material | Core Dimensions | Case Dimensions | Weight in gram | Packaging |
|----------------|-------|-----------------|-----------------|-----------------|----------------|---------------------|
| D0102R04N01-01 | | Nanocrystalline | 102x76x25 mm | 108x70x31 mm | 530 | 12 pcs. per box |
| Housing | | Permeability | Frequency | H_{peak} | L_{Fe} | A_{Fe} |
| Cased | Round | 4000 | 10 kHz | 3 mA/cm | 28,0 cm | 2,6 cm ² |



Values in mm

| Inspection Values | Measurement limits | Frequency | $I_{eff} \times N$ (mA turns) | Date: | 14.03.2023 |
|-------------------|--------------------|-----------|-------------------------------|---|------------|
| AL (μ H) | 4,0 - 8,0 | 10 kHz | 60 | Index: | 1 |
| AL (μ H) | 4,0 - NA | 100 kHz | 60 | Revision: | 1 |
| Created | Approved | Released | Quality | Comments: | |
| MWE | MMO | HJP/MMO | HJP | Product released. | |
| | | | | All parameters can be changed without prior notice. | |

