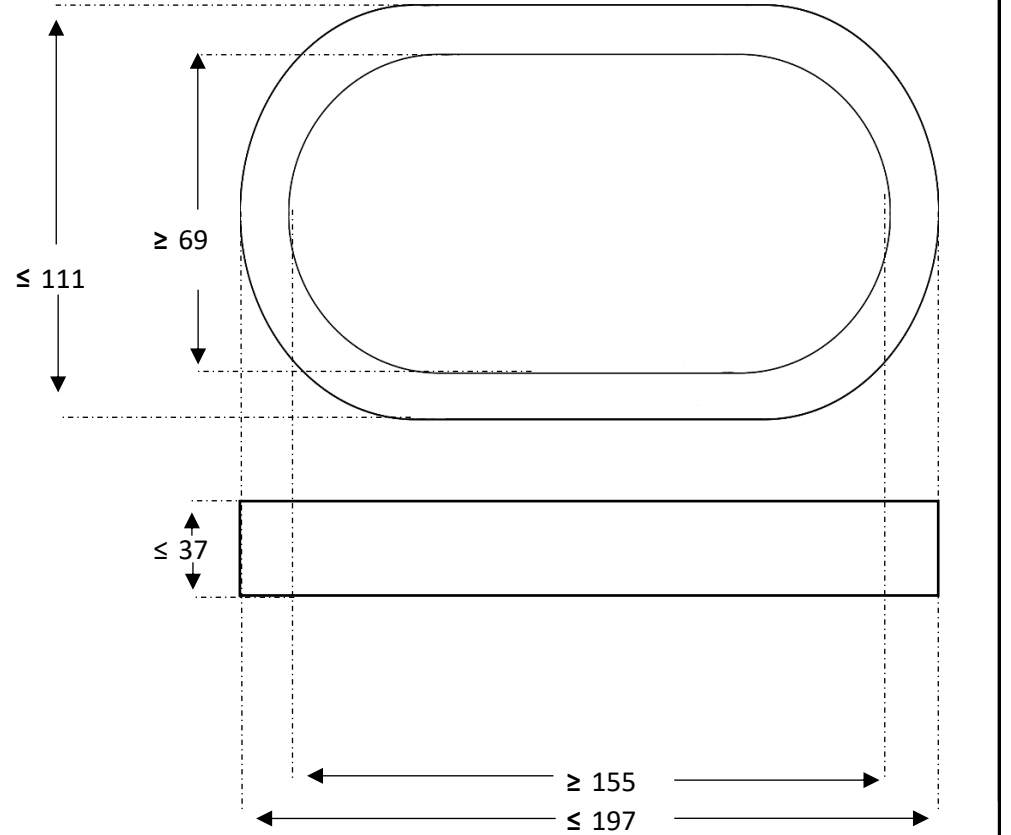
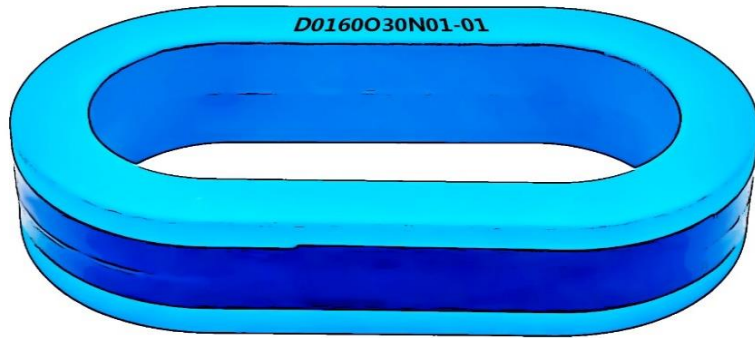


Product		Core Material	Core Dimensions	Case Dimensions	Weight in gram	Packaging
D0160O30N01-01		Nanocrystalline	160x130x30 mm	197x111x37 mm	1200	5 pcs. per box
Housing		Permeability	Frequency	$H_{peak}$	$L_{Fe}$	$A_{Fe}$
Cased	Oval	30000	10 kHz	3,0 mA/cm	45,6 cm	3,6 cm <sup>2</sup>



Values in mm

Inspection Values	Measurement limits	Frequency	$I_{eff} \times N$ (mA turns)	Date:	24.03.2023
AL (μH)	20,9 - 41,8	10 kHz	100	Index:	1
AL (μH)	10,4 - NA	100 kHz	100	Revision:	1
Created	Approved	Released	Quality	Comments:	
MWE	MMO	HJP/MMO	HJP	Product released	
				All parameters can be changed without prior notice.	

