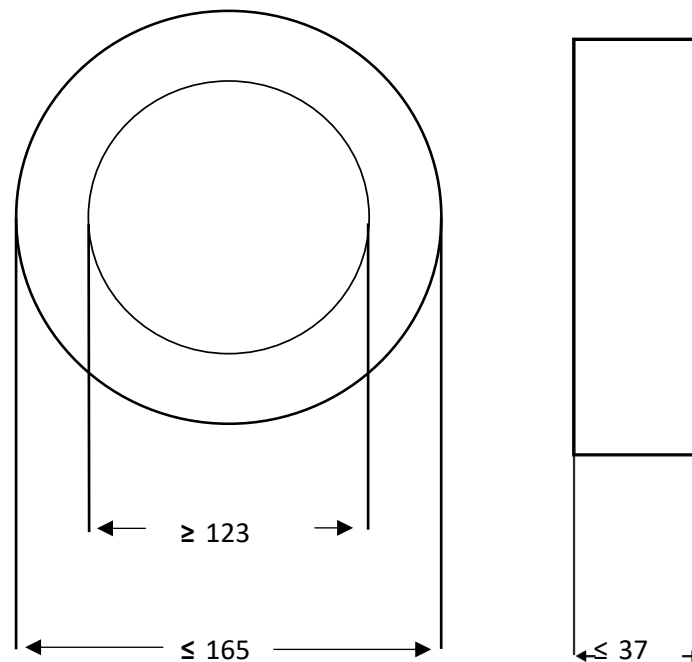
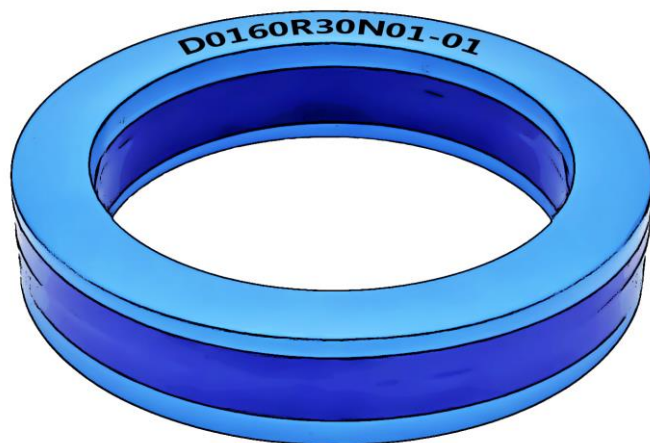


Product		Core Material	Core Dimensions	Case Dimensions	Weight in gram	Packaging
D0160R30N01-01		Nanocrystalline	160x130x30 mm	165x123x37 mm	1200	5 pcs pr box
Housing		Permeability	Frequency	H_{peak}	L_{Fe}	A_{Fe}
Cased	Round	30000	10 kHz	3,12 mA/cm	45,6 cm	3,6 cm ²



Values in mm

Inspection Values	Measurement limits	Frequency	$I_{eff} \times N$ (mA turns)	Date:	24.03.2023
AL (μH)	20,9 - 41,8	10 kHz	10	Index:	1 Revision: 1
AL (μH)	10,4 - NA	100 kHz	100	Comments:	
Created	Approved	Released	Quality	Product released	
MWE	MWE	HJP/MMO	HJP	All parameters can be changed without prior notice.	



Blueferrite.com