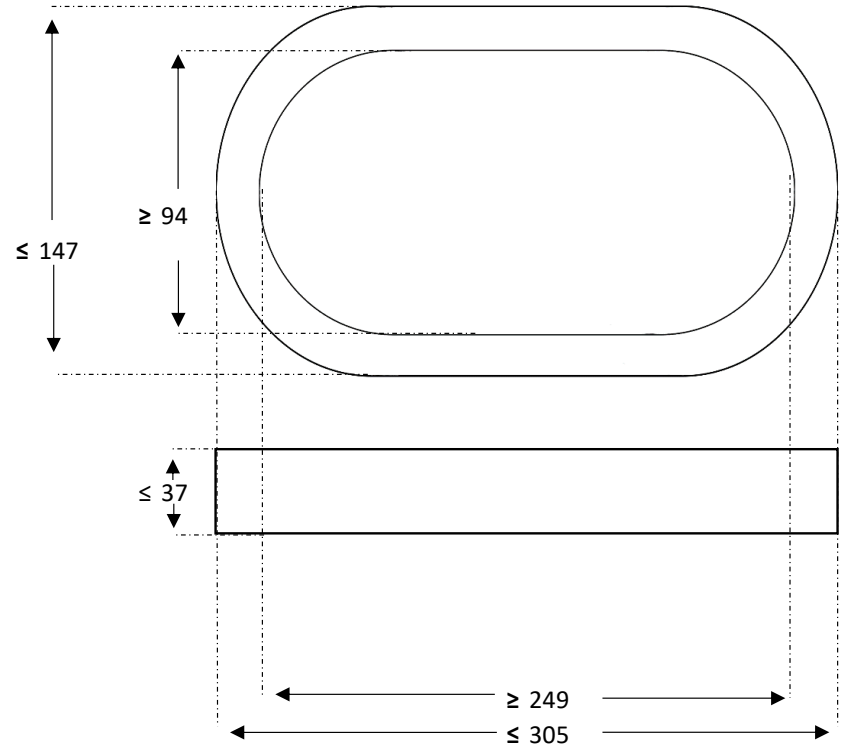
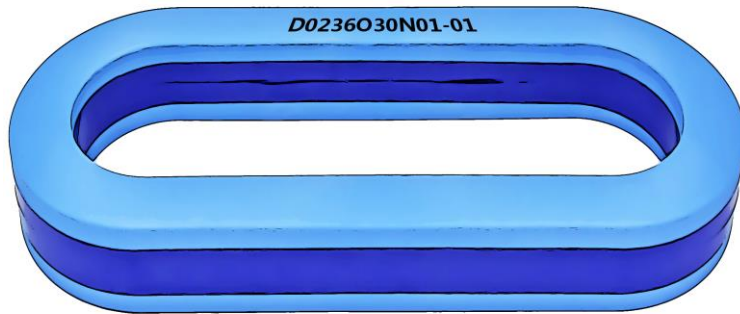



Product		Core Material	Core Dimensions	Case Dimensions	Weight in gram	Packaging
D0236030N01-01		Nanocrystalline	236x200x30 mm	305x147x37 mm	2200	2 pcs. pr. box
Housing		Permeability	Frequency	H_{peak}	L_{Fe}	A_{Fe}
Cased	Oval	30000	10 kHz	3,0 mA/cm	68,5 cm	4,32 cm ²



Values in mm

Inspection Values	Measurement limits	Frequency	$I_{eff} \times N$ (mA turns)	Date: 24.03.2023	 Blueferrite.com
AL (μH)	16,7 - 33,4	10 kHz	150	Index: 1 Revision: 1	
AL (μH)	8,3 - NA	100 kHz	150	Comments:	
Created	Approved	Released	Quality	Product released	
MWE	MMO/HJP	HJP/MMO	HJP	All parameters can be changed without prior notice.	