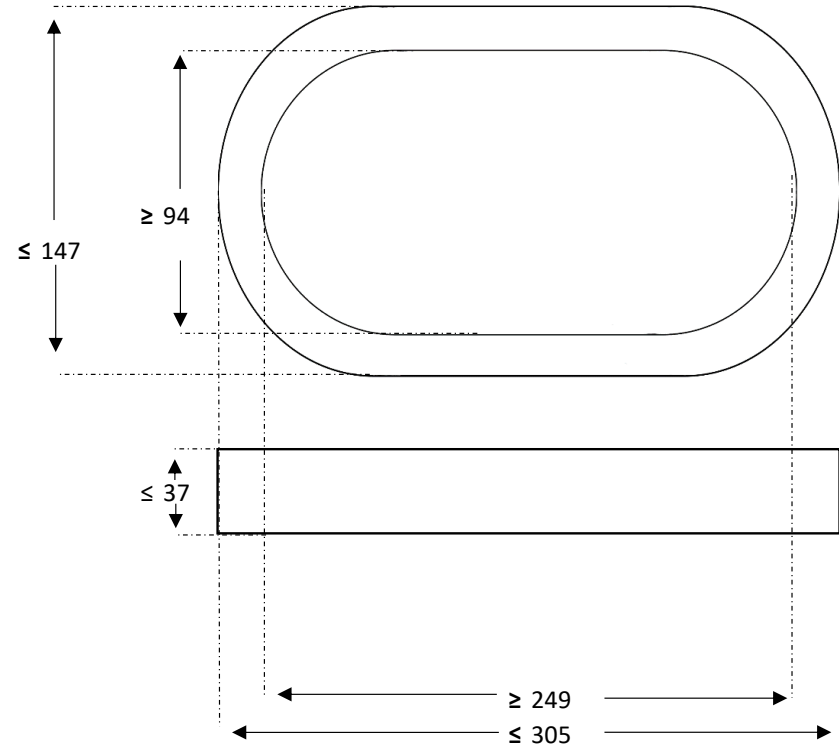
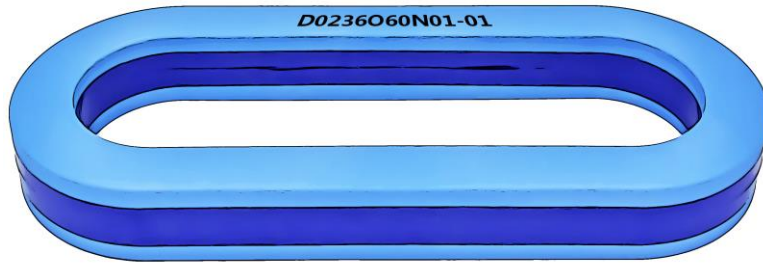


Product		Core Material	Core Dimensions	Case Dimensions	Weight in gram	Packaging
D0236O60N01-01		Nanocrystalline	236x200x30 mm	305x147x37 mm	2200	2 pcs. pr. box
Housing		Permeability	Frequency	$H_{peak}$	$L_{Fe}$	$A_{Fe}$
Cased	Oval	60000	10 kHz	3,0 mA/cm	68,5 cm	4,32 cm <sup>2</sup>



Values in mm

Inspection Values	Measurement limits	Frequency	$I_{eff} \times N$ (mA turns)	Date: 24.03.2023
AL ( $\mu$ H)	33,3 - 66,6	10 kHz	150	Index: 1 Revision: 1
AL ( $\mu$ H)	8,3 - NA	100 kHz	150	Comments:
Created	Approved	Released	Quality	Product released
MWE	MMO/HJP	HJP/MMO	HJP	All parameters can be changed without prior notice.

