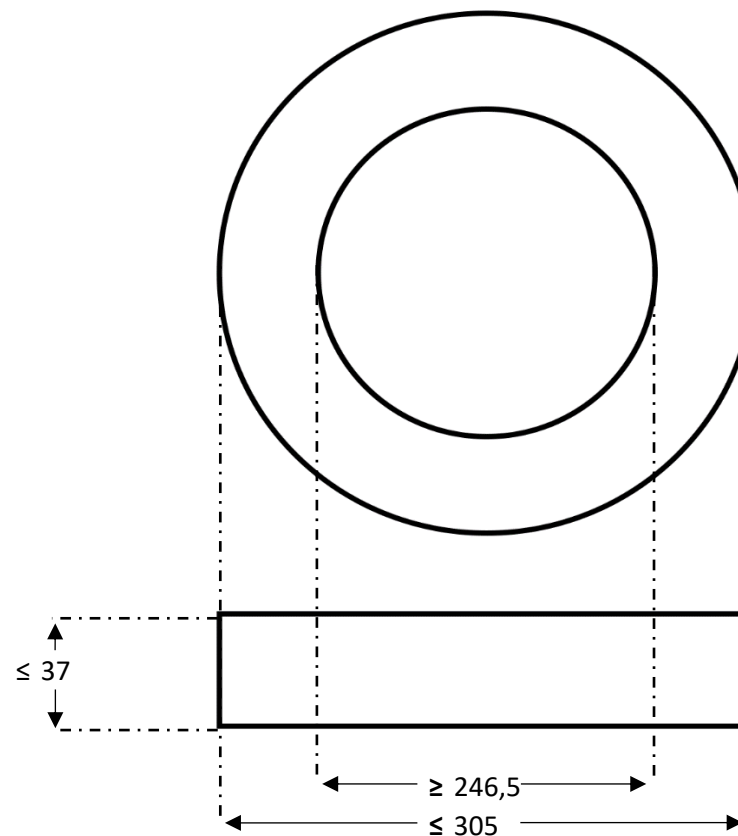
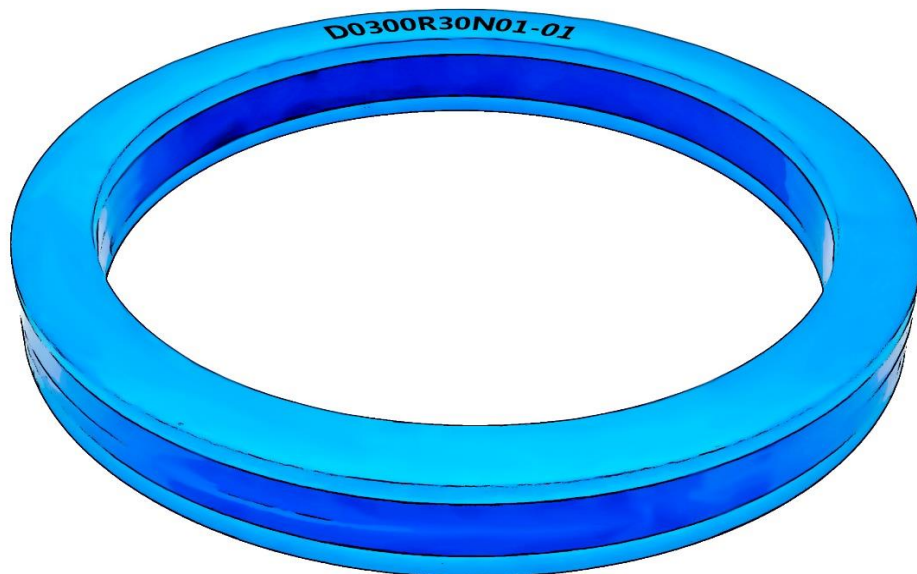



Product		Core Material	Core Dimensions	Case Dimensions	Weight in gram	Packaging
D0300R30N01-01		Nanocrystalline	300x250x30 mm	305x246,5x37 mm	3800	2 pcs. pr. box
Housing		Permeability	Frequency	H_{peak}	L_{Fe}	A_{Fe}
Cased	Round	30000	10 kHz	3,5 mA/cm	86,4 cm	6,0 cm ²



Values in mm

Inspection Values	Measurement limits	Frequency	$I_{eff} \times N$ (mA turns)	Date: 19.10.2023	 Blueferrite.com
AL (μH)	18,3 - 36,6	10 kHz	100	Index: 1 Revision: 1	
AL (μH)	9,2 - NA	100 kHz	100	Comments:	
Created	Approved	Released	Quality	Product released	
MWE	MMO	HJP/MMO	HJP	All parameters can be changed without prior notice.	